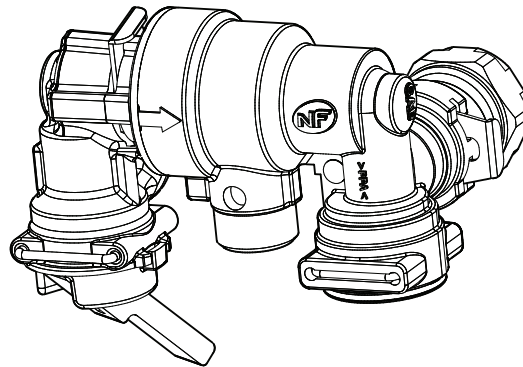


Multifit



Fitting Instructions

Easy-Fill Permanent Filling Link

Compatible with the following boilers:-

- Baxi Platinum Combi
- Baxi Duo-tec Combi
- Baxi 600 Combi
- Baxi 400 Combi
- Baxi 200 Combi
- Baxi 100 Combi
- Potterton Promax Combi
- Potterton Gold Combi
- Potterton Titanium Combi
- Potterton Assure Combi
- Main Eco Elite Combi

IMPORTANT NOTES

Please read before continuing !

- The Permanent Filling Link is a device to allow filling & repressuring of the heating system. The link has been tested and approved to be left connected after use.
- The link may be fitted at the time of installation or retrospectively.
- Filling & repressuring is achieved by the operation of a spring loaded green lever incorporated in the cold mains inlet part of the link.

FITTING & OPERATING THE PERMANENT FILLING LINK

• Turn off the cold mains inlet and heating return taps and remove their blanking caps (Fig. 1). It is also recommended that the installation is isolated from the mains cold water supply.

• If fitting retrospectively it will be necessary to relieve the system pressure and drain the boiler.

• Fit an 'O' ring to the male end of each adaptor. Pass each adaptor through one of the nuts as shown (Fig. 2).

• Insert the adaptors into the body of the link and secure using the clips (Fig. 2)

• Examine the mating surfaces & threads on the cold mains inlet and heating return taps, cleaning if necessary.

• Two fibre washers are supplied. Ensure they are in place and engage the adaptor nuts on the cold mains inlet and heating return taps.

• Tighten the nuts onto the heating return and cold inlet isolation taps whilst ensuring the link is straight and level.

• **DO NOT cap or connect any pipework to the air break on the body of the link !**

• Open the taps and operate the spring loaded green lever (Fig. 3) on the left of the link assembly until the correct pressure is registered on the gauge (Fig. 4). A small volume of water may be discharged from the air break which is normal. Check for leaks from all joints.

• Demonstrate to the user the operation of the link, emphasising the need to avoid over pressurising the installation.

• Apply the label provided to the boiler front panel. Leave these instructions with the boiler Installation & Service Manual.

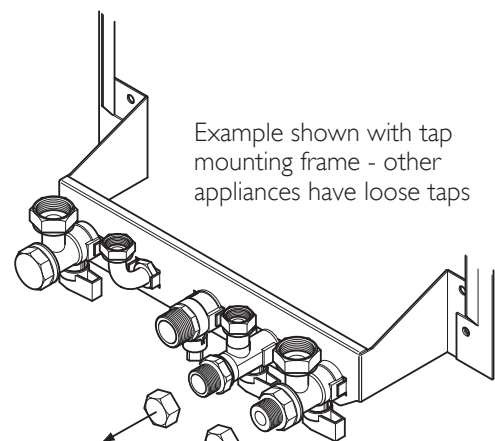


Fig. 1

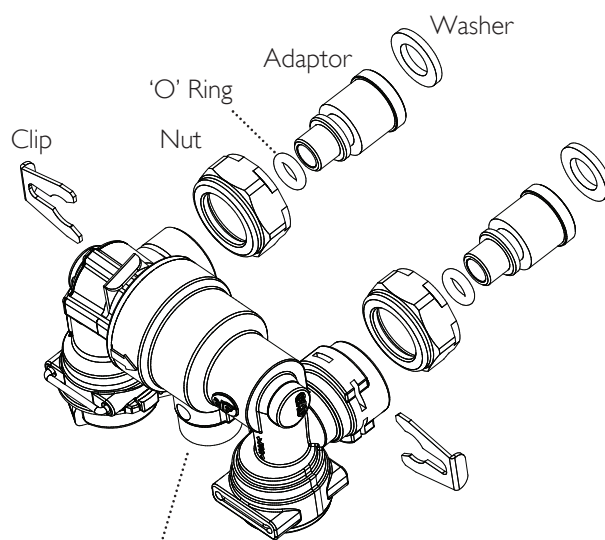


Fig. 2

Air Break - DO NOT cap or connect to pipework !

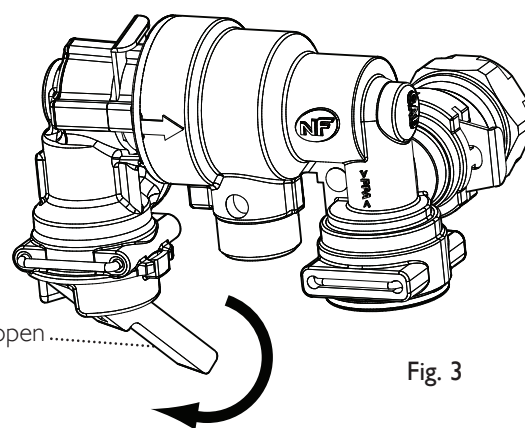


Fig. 3

Typical gauge showing normal pressure

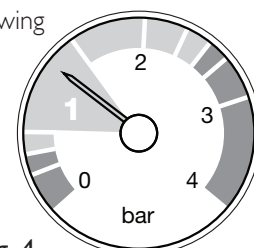


Fig. 4

Baxi Customer Support



0344 871 1545



Baxi
Brooks House,
Coventry Road,
Warwick, CV34 4LL



baxi.co.uk

Scan the code below to view a video of how to operate the "Easy-Fill"

